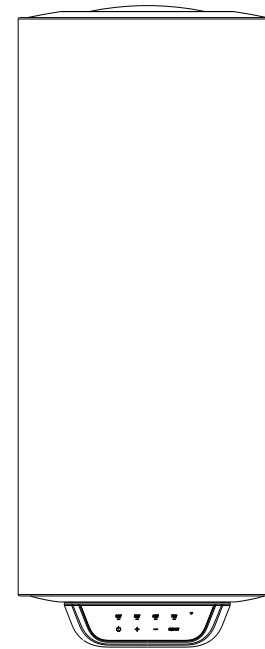


# ELECTRIC STORAGE WATER HEATER

## OPERATION HANDBOOK

KIZURA - THERMO-80



**PACKING LIST**

NO.	Name	Unit (Piece)
1	Electric Water Heater	1
2	Operation Handbook	1
3	Inflation Bolt	2
4	Security Valve	1
5	Gasket	4
6	Filtrated Gasket	1

# Troubleshooting

Problem	Cause of error	Remedy
The failure of indicator lighting	1. Power supply is not powered or bad contact	Inspect whether it exist the power and the touched between the socket and plug must be good.
	2. The interior wire materials damaged.	Service call
	3. Indicator damaged.	
	4. The overheating protector making functions.	
Hot water not hot	1.The heating time is too short	Continue heating
	2. The mixed water valve's temperature adjustment is over low.	Adjust the mixed water outlet temperature to be high.
	3. Failure of thermostat	Service call
	4. The heating tube damaged.	
No water coming out at the hot water outlet	1. Blockage at tap water	Awaiting the tap water to provide the water.
	2. Low water pressure	Wait until the water pressure rises then continue using
	3. Failure of thermostat	Change it
	4. The mixed water valve broken.	
	5. The pipe connections are improperly	Correctly connect it according to the diagram's requirements.
Water leakage	1. The various pipe connector positions are not sealed properly.	Hermetically seal the pipe connector properly.
	2. Tank leakage	Service call

## CATALOGUE

User's Required Reading ···· 1

The Operating Common Knowledge ···· 1

    Product Features ···· 2

    Security Characteristics ···· 3

Technical Reference Data ···· 4

    Product Dimensions ···· 4

    Assembling Instructions ···· 5

    Pipe Connections ···· 5

    Cautions Items ···· 6

    Operating Instructions ···· 7

    Operating Guide ···· 8-9

Daily and Common Maintenances ···· 10

    Electricity Diagram ···· 10

    Product structure Diagram ···· 10

    Troubleshooting ···· 11

    Packing List ···· 12

## USER'S REQUIRED READING

- Our company won't take any responsibilities to this electric water heater's inappropriate installations.
- Before installing and using the new brand's electric water heater, please carefully read the entire instructions. If not following the required methods in this instruction brochure to make installations or use it, it may cause the severe hazard accidents and the property losses.
- Before opening the electric water heater's any covered decks or doing some cleaning and mending to the electric water heater, please make try to pull away the power plug firstly.
- This appliance can be used by children aged from 8 years and above, and people with reduced physical, sensory or mental capabilities or lack of experience and knowledge, if they have been given supervision or instruction concerning use of the appliance in a safe way and understand the hazards involved. Children shall not play with the appliance. Cleaning and user maintenance shall not be made by children without supervision.
- If the supply cord is damaged, it must be replaced by the manufacturer, its service agent or similarly qualified persons in order to avoid a hazard.
- The water may drip from the discharge pipe of the pressure-relief device and that this pipe must be left open to the atmosphere.
- The pressure-relief device is to be operated regularly to remove lime deposits and to verify that it is not blocked.

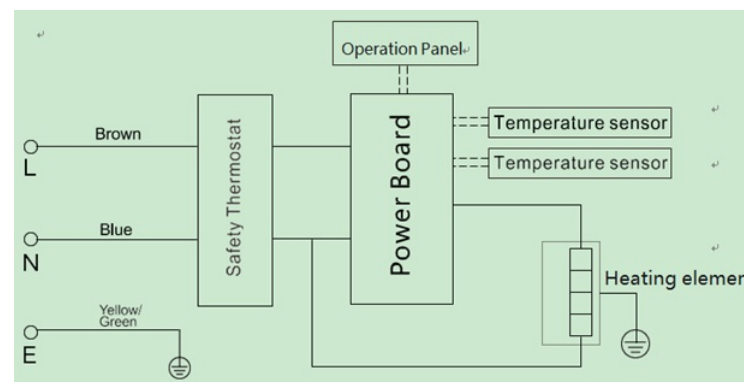
## THE OPERATING COMMON KNOWLEDGE

- Before operating it each time, you must make the electric water heater fully filled with water firstly. After that, it can permit you to plug in the power cord.
- When no tap water provides, you mustn't use the water in the tank of electric water heater.
- For the cold and frozen regions in winter, when not using it for a longer period of time, you should make the water in the tank of electric water heater empty occupy. The emptiness-making methods can be seen the "Security Characteristics" in this instructions brochure.
- When the electric water heater work normally, the leakage pressed mouth of the security valve may exist the water drops to drip out. This belongs to the normal conditions. Take care not to block this leakage pressed exit. You can use the plastic pipes to lead flowing. However, you must keep it through with atmosphere.
- The power socket must have a reliable grounding connection to use.

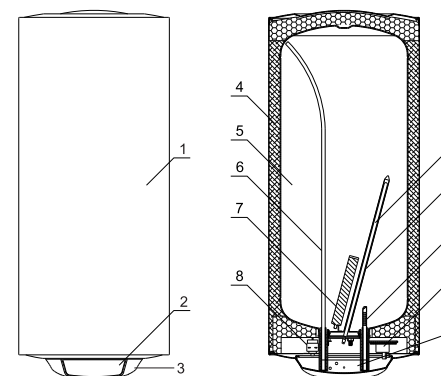
## DAILY AND COMMON MAINTENANCES

- Frequently check whether the power plug and socket are in good contact. Whether the socket is well grounded.
- If you do not use the water heater for a long time, especially in low temperature areas, in order to avoid the water tank cracking after freezing, please pay attention to ensure that the water in the water tank is drained after each use.
- In order to keep the electric water heater working efficiently, you had better clean the water heater once every year. Remove the inner tank and heating pipe of the water heater and clean the scale.

## ELECTRICITY DIAGRAM

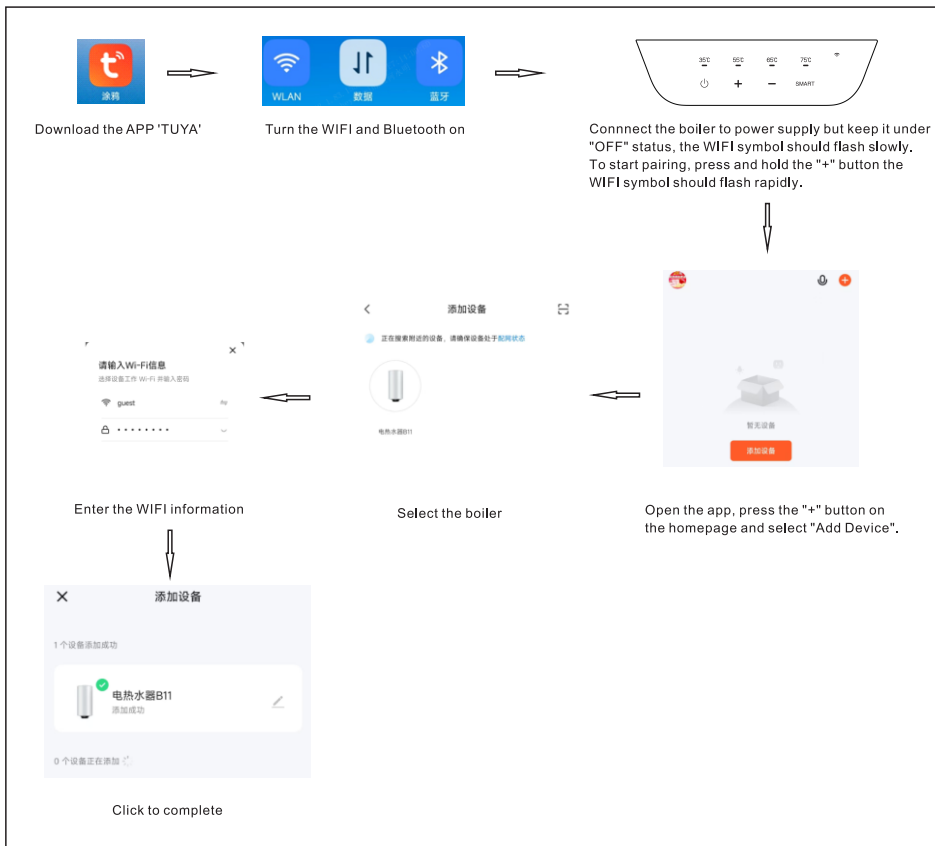


## PRODUCT STRUCTURE DIAGRAM



- 1.Main Body
- 2.Control panel
- 3.Protective cap
- 4.Foam layer
- 5.Water heater tank
- 6.Outlet pipe
- 7.Magnesium anode
- 8.Over-heating protector
- 9.Electric heating pipe
- 10.Enamel tube holder
- 11.Inlet pipe
- 12.Power board
- 13.Display board

WiFi Connection Instruction



- Double layer temperature limiting protection switch: The electric water heater shall be reserved a position for maintenance personnel when installation - resetting double layer temperature-limiting protection switch, Enabling to automatically cut off the power cord when the electric water heater is over-heating by the accidents or the water temperature is too high, guaranteeing the two poles are cut off. That ensures to be safe.
- The position-resetting methods of the double layer temperature-limiting device:
  - 1) Pull down the power cord.
  - 2) Make the plastic lid on the bottom (right side of horizontal style) the electric water heater to be opened with tools.
  - 3) Press the white reset button on the two position temperature limiter. Close the plastic cover.
  - 4) Slightly reduce the temperature-setting value.
  - 5) Reinsert the electric power plug and turn it on. If the power supply and operation are normal, the water temperature in the water tank is still too high.
  - 6) Please open the water outlet valve, pour out the hot water for a few minutes, and repeat the above steps after the water temperature drops.

**PRODUCT FEATURES**

- Unique introduction: trendy personalized design, leading the market trendy.
- The sapphire golden silicon tank: rust-proof, erosion-proof, anti-leakage, more advanced with high efficiency & longer longevity.
- High efficiencies energy saving & temperature maintaining heat isolation layer: Adopting the thickened non- fluorine amine-gathering resin whole body's bubble-making heater isolation layers, good temperature-keeping performance, reducing the heat loss with maximum degrees. Under the condition of power-off and heat preservation, hot water is still supplied within 48 hours.
- Rated power heating: 1500W
- The water inlet pressure: normal use in the range of 0.02-0.8MPa

Common faults are displayed

Common anomalies	Reason analysis	Solution
Light 35°C and light 55°C flash at the same time	The water heater is not filled with water and is directly energized, and dry burning occurs	Cut off the power supply, fill the water heater with water first, and then power on
Light 55°C and light 65°C flash at the same time	Sensor T1 is damaged or the terminals are loose	Contact with repair department
Light 65°C and light 75°C flash at the same time	The heating water temperature is out of control beyond the setting value	Contact with repair department
Light 35°C and light 75°C flash at the same time	Sensor T2 is damaged or the terminals are loose	Contact with repair department

## SECURITY CHARACTERISTICS

- **Safety valve:** The water heater is equipped with a one-way safety valve, which must be installed at the water inlet of the water heater. When the pressure of the water heater is greater than 0.8MPa, the valve will release the pressure automatically. It is normal that there is a small amount of water dripping at the pressure relief port of the safety valve. Do not block the relief port of the safety valve (Diagram 1).

\*Note: For this internally connected safety valve, there may be no water dripping from the pressure relief port. In addition, in the process of heating, the external part of the water inlet pipe of the electric water heater under the safety valve may produce a slight heating phenomenon, which is a normal phenomenon, indicating that the electric water heater is relieving the excessive pressure generated by heating and discharging part of the hot water through the water inlet.

- **To drain the tank perform the following steps:**

If the water tank needs to be emptied, first turn off the inlet valve and open the water outlet valve, then remove the screw fixing the safety valve with a tool and lift the plastic handle to let the water flow out naturally (Diagram 2)

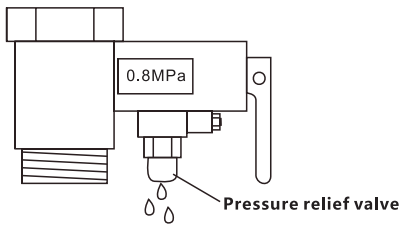


Diagram 1

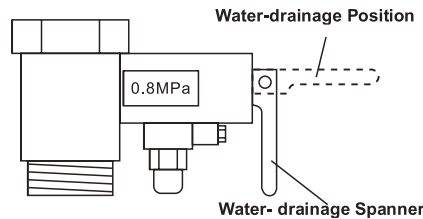
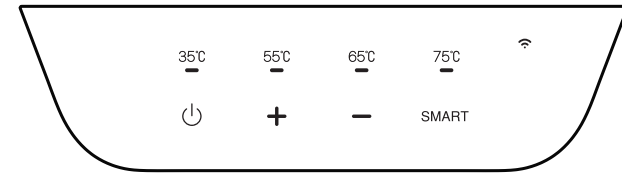


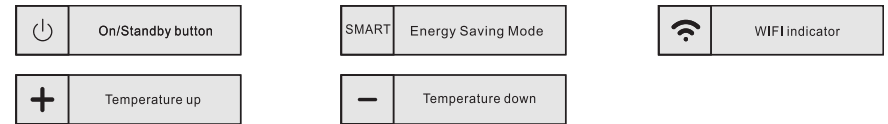
Diagram 2

## Operating Guide

### (一) . User interface



### The meaning of ICONS in the user interface



### Operating instruction

Normal mode	May be selected by pressing the ' Normal mode ' button or setting the temperature directly. The light flashes when the temperature is adjusting up or down. If no operation is performed within 5 seconds, a confirmation message is displayed. The corresponding set temperature instructions will then be followed.
Smart mode	Under the heating condition, four lights will be on from 35°C - 75°C. For example, the 35°C light stays on for 1 second, then turns off and the 55°C light turns on at the same time. It stays on for 1 second, then turns off and the 65°C light turns on at the same time, and so on. After the heating is completed, the light corresponding to the temperature remains on. For example, when temperature reaches 55 °C, only the 55 °C light turns on, while the other temperature
Sterilisation mode	Simultaneously press the temperature up and down button for 5 seconds to enter the sterilisation mode. During the sterilisation heating, four lights will perform a breathing light effect. Once sterilisation is complete, the device will revert to normal mode. To end the sterilisation mode, press the temperature up and down button for 5 seconds, or press the on/off button.
Reservation mode	It should be noted that reservation can only be operated via the APP. Under reservation mode, the heating temperature setting range is 35° C - 75° C. Both the time and temperature can be set within a week.
Power consumption function	The power consumption can be checked on the APP when the device is connected to the internet and is operating at its rated voltage. The power consumption should be recorded on a daily and weekly basis.

## OPERATING INSTRUCTIONS

- A discharge pipe connected to the pressure-relief device is to be installed in a continuously downward direction and in a frost-free environment.
- **Water inlet:** After fixing all the pipes, then make the cold and heat water-blending valve rotate to the high temperature sector according to the clockwise direction. And reopen the cold water pipe inlet valve. At this time, the electric water heater tank will start to enter the water. Waiting that the shower sector of the water outlet is in normal condition, which indicates that the tank has fully filled with water.

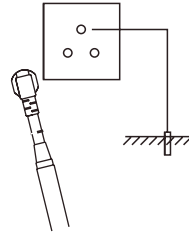


Diagram 8

**Cautions:** During the electric water heater in the normal operating procedures, the water inlet valve of the cold water pipe inlet sector must be in the open condition from the beginning to the end. At this time, the water inlet valve can still make the functions of regulating the water outlet section's flowing strength and weakness. However, the cold and hot mixed water valve can only regulate the water temperatures and make the function of closing the water exiting.

- **Power on:** After the water tank is filled with water, plug in the power cord to power on the electric water heater. The working indicator light on the water heater is on, indicating that it is heating.
- **Hot water operations:** After the electric water heater normally works and heats for a long period of time, you can use the hot water in the tank, you need to make the cold and hot mixed valve rotate with the clockwise direction slowly from the low temperature to high temperature in the closed condition. And adjust it to your proper temperature. At that time, the hot water will come out from the sprinkler. After using the water heater, you can turn it to the closed section by the anti-clockwise direction and shut off the mixed water valve.

**Cautions:** When adjusting the water temperature of the water outlet, please don't let the sprinkler directly to your body. You should test the water temperature firstly to avoid the scalding water.

- **Overheating protection:** The water heater will not be heated from beginning to end after being electrified. If it is heating all the time, overheating protection may occur (after this, the thermal circuit breaker will disconnect)
- **Heat preservation:** when the water is heated to the set temperature, the water heater will turn off and turn into heat preservation mode. When the temperature decreases at certain temperature, the water heater automatic turn on and start heating, until the temperature reach the setting temperature. So the cycle to repeat.

## TECHNICAL REFERENCE DATA

Rated Voltage	220-240V	Rated Power	2000W
Rated Frequency	50/60Hz	Rated Current	8.7A
Rated Pressure	0.8MPa	Rated volume	30L 50L 80L 100L 150L
Rated Water Temperature	75°C	Structure Mode	Hermetically closed typed water storage style
Water-proof Degree	IPX4	Fixing Mode	Hanging type
Fitted Socket	250V~,10A		

## PRODUCT DIMENSIONS

Product Model	DSCF30-B11EHV-20	DSCF50-B11EHV-20	DSCF80-B11EHV-20	DSCF100-B11EHV-20	DSCF150-B11EHV-20
Capacity (L)	30	50	80	100	150
Dimensions (mm)	A	380	380	495	495
	B	658	920	882	1045
	C	365	365	460	460
Distance Between Inlet and Outlet(D)	100mm				

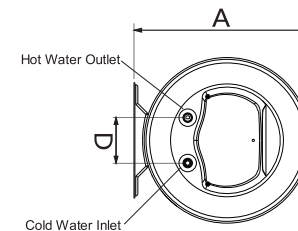


Diagram 3

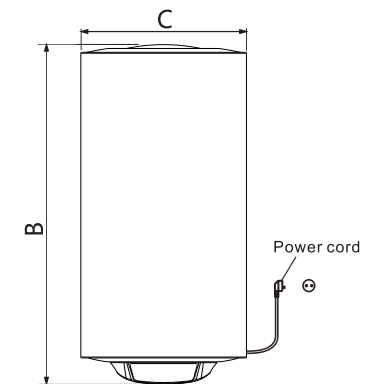


Diagram 4

## ASSEMBLING INSTRUCTIONS

- The electric water heater shall be installed on a solid cement wall, close to the power socket and convenient for water use.
- Cautions:** Please try to use our company's installation accessories to fix the water heater. Make sure that the expansion bolt hook has been firmly fixed on the wall before hanging the electric water heater. Otherwise, the water heater may fall from the wall and cause an accident.
- Before determining the bolt hole's position, you should guarantee the right side of the electric water heater to be more than 200mm away the ground. This will be convenient to leave out a certain space to maintain when it is necessary.
- Assembling Method: After selecting the proper positions well, use the fitted inflation bolt to fix the hanging board firmly, and then hang on the electric water heater (Diagram 5).
- For Horizontal installation, the hot water outlet pipe must be the upper side.

Capacity		30L	50L	80L	100L	150L
L1(mm)	Vertical installation	185	185	210	210	280
L2(mm)	Horizontal installation	208	470	327	487	856

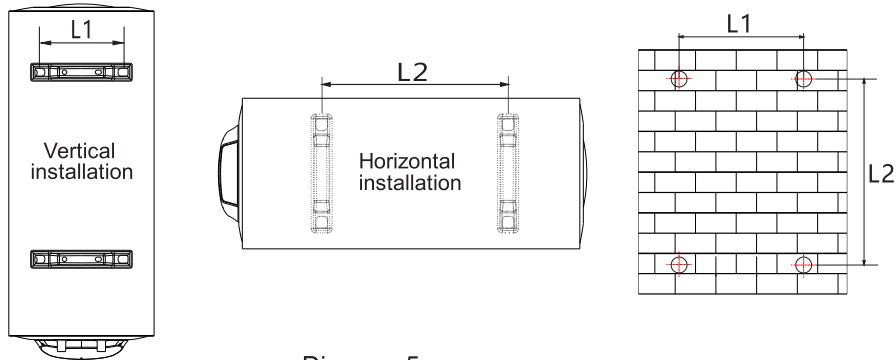


Diagram 5

## PIPE CONNECTIONS

- Use 1/2-inch water pipe and wrap raw tape around the water inlet of the electric water heater to prevent leakage. Then install the relief valve.
- Please refer to No. 7 figure for the method of fixing the water pipe. (Diagram 6)
- If you want to use multi-channel water supply, please refer to No. 8 figure for the method of connecting pipes. (Diagram 7)

## CAUTIONS ITEMS

- The installed walls must be solid; the inflation bolts must be tautly spun. And install it firmly. Mustn't loosen and prohibit to mount it in the heart-emptied bricks or the brick crevices.
- The power socket must be adopted the high quality mono-phase tri-pole one which complies with the State's standard. And it must be fitted the qualified ground wire, which must be installed at the properly gigh positions and the uneasily water-showered damp places. This outlet had beeter be typically used for the electric water heater (Diagram 8).
- When it is in the initiative operation, you must make the tank fully filled with water, after that, the electric water heater can be powered on.

Diagram 6

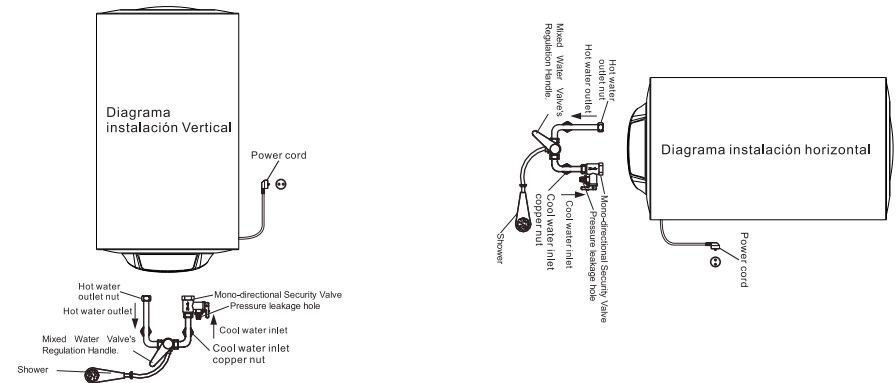


Diagram 7

