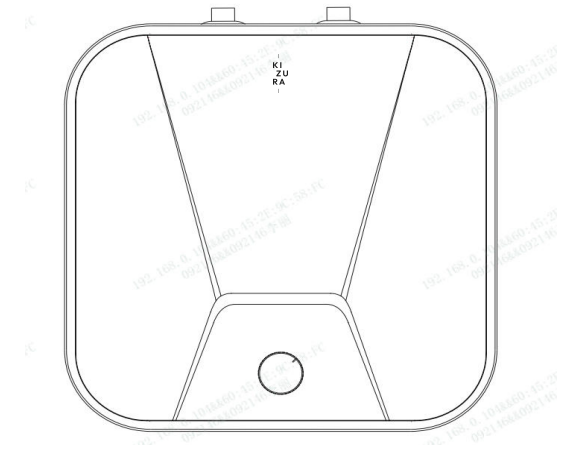


PACKING LIST

ELECTRIC WATER HEATER OPERATION HANDBOOK

Item Name	Quantity	Item Name	Quantity
Electric Water Heater	1	Safety Valve/Relief tube	1
User's Manual	1	Accessories kit	1

KIZURA - THERMO-10



Read This Instruction Brochure Attentively
And Keep This Operating Handbook Well
For Future Reference Uses.

CATALOGUE

- User's Required Reading.....1
- The Operating Common Knowledge.....1
 - The Product's Features.....2
 - Security Characteristics.....3
- Technical Reference Data.....4
 - Product Structure.....4
- Assembling Instructions.....5
 - Pipe Connections.....5
 - Cautions Items.....5
- Operating Instructions.....7
 - Operating Guides.....8
- Daily And Common Maintenances.....8
 - Electricity Diagram.....8
- Trouble Causes & Treating Methods.....9
 - Packing List.....Back Cover

TROUBLE CAUSES & TREATING METHODS

Trouble Circumstances	Obstacle Causes	Dealing Methods
The failure of Indicator lighting	1.The power-source plug no power or bad contacts.	Inspect whether it exist the power and the touches between the socket and plug must be good.
	2.The interior wire materials damaged.	Invite the professional to repair it.
	3.Indicator damaged.	
	4.The overheating protector making functions.	
Low Water-exiting Temperature	1.Dificient heating time.	Await the heating time.
	2.The mixed water valve's temperature adjustment is over low.	Adjust the mixed water exiting temperature to be high.
	3.Temperature-controller Mal-functional.	Invite the professional to mend it by inspections.
	4. The heating tube damaged.	
No water coming out at the hot water mouth.	1.Halting the tap water.	Awaiting the tap water to provide the water.
	2.Too low tap water pressure.	When awaiting the water pressure to raise high, re-use it.
	3.The temperature-controller is in mal-functions.	Changing it.
	4.The mixed water valve broken.	
	5.The pipe's connections are connected improperly.	Correctly connect it according to the diagram's requirements.
Water leakage	1.The various pipe mouth's connection positions are not hermetically sealed.	Hermetically seal the connection mouth well.
	2.The tank leaks the water.	Invite the professional to check and mend it.

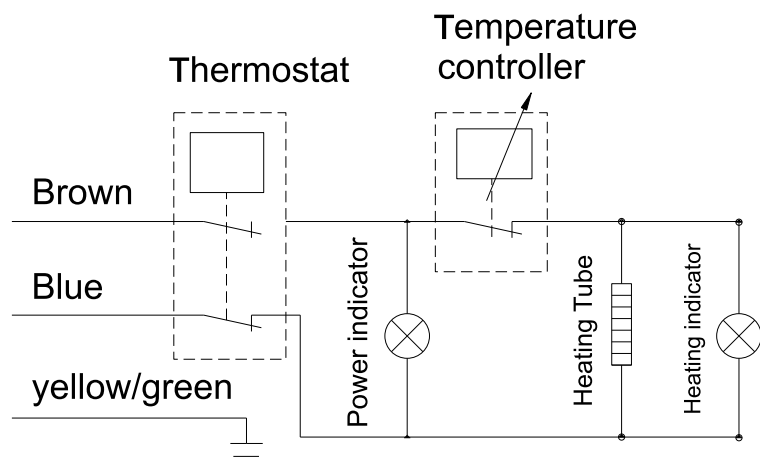
OPERATING GUIDES

Temperature setting: According to your required temperature, rotate the temperature-adjusting knob by the clockwise direction. You can select to use the heating temperatures without grades in the temperature ranges of twenty to seventy-five degrees Celsius from closing to the low, medium and high bands or from low to high.

DAILY AND COMMON MAINTENANCES

- Frequently checking the connection of power source's plug and the outlet is in good condition. Reliable, whether heating. The plug's outlet is well connected the ground or not.
- When it isn't in the operation for a long period of time, typically in the low temperature zones and avoiding the water freezing in the tank, which will cause the cracks of tank. After finishing uses each time, you should make the water in the tank pour out.
- In order to assure the electric water heater to work with high efficiencies, you had better clean the heating parts once each year. Remove the water dirt's deposits accumulated on the electrical heating parts and the tank's base.

ELECTRICITY DIAGRAM



USER'S REQUIRED READING

- Our company won't load any responsibilities to this electric water heater's inappropriate installations.
- Before installing and using the new brand's electric water heater, please carefully read the entire instructions. If not following the required methods in this instruction brochure to make installations or use it, it may cause the severe hazard accidents and the property losses.
- Before opening the electric water heater's any covered decks or doing some cleaning and mending to the electric water heater, please make try to pull away the power-source plug first.
- This appliance is not intended for use by persons (including children) with reduced physical, sensory or mental capabilities, or lack of experience and knowledge, unless they have been given supervision or instruction concerning use of the appliance by a person responsible for their safety.
- Children should be supervised to ensure that they do not play with the appliance.
- If the supply cord is damaged, it must be replaced by the manufacturer, its service agent or similarly qualified persons in order to avoid a hazard.
- The water may drip from the discharge pipe of the pressure-relief device and that this pipe must be left open to the atmosphere.
- The pressure-relief device is to be operated regularly to remove lime deposits and to verify that it is not blocked.

THE OPERATING COMMON KNOWLEDGE

- Before operating it each time, you must make the electric water heater fully fill first. After that, it can permit you to put through the power source.
- When no tap water provides, you mustn't use the water in the tank of electric water heater.
- For the cold and frozen regions in winter, when not using it for a longer period of time, you should make the water in the tank of electric water heater empty. The emptiness-making methods can be seen the "Security Characteristics" in this instructions brochure.
- When the electric water-heater is in normal work, the leakage pressed mouth of the security valve may exist the water drops to drip out. This belongs to the normal conditions. Take care not to block this leakage pressed exit. You can use the plastic pipes to lead flowing. However, you must keep it through with atmosphere.
- The power-source outlet must have the reliable ground connections for the use.

- Double-level Temperature-limiting Protection Switch: This electric water heater possesses one required artificial position - resetting double - level temperature-limiting protection switch. Enabling to automatically cut off the power sources when the electric water heater is over-heat by the accidents or the water temperature is hyper-high, guaranteeing the two poles are cut off. That ensures to be safe.
- The Position-resetting Methods of the Double-Position Temperature-limiting Device:
 - 1) Pull down the power-source plug
 - 2) Open the maintained plastic cover, the electric water-heater to be opened with tools.
 - 3) Press down the position resetting button on the two-positional temperature limiter.
 - 4) Close the plastic cover.
 - 5) Slightly reduce the temperature-setting value.
 - 6) Reinsert the plug of the power source and put through the power source. If the above-mentioned operations can't still let the whole unit put through the power and work normally, which indicates the water temperature in the tank is still over-high. Please open the water exiting valve and pour out the heat water for several minutes, then repeat the above mentioned procedures after waiting the water temperature reduces.

THE PRODUCT'S FEATURES

- Unique Profile: New tide personalized design, leading the market's new tides.
- The sapphire golden silicon tank: Rust-proof, Erosion-proof, Anti-leakage, More advanced with high efficiencies & longer longevity.
- High efficiencies energy saving & temperature maintaining heat isolation layer: Adopting the thickened non-fluorine amine-gathering resin whole body's bubble-making heater isolation layers, good temperature-keeping performance. reducing the heat loss with the maximum degrees. Under the electricity cutting off and the temperature keeping conditions, still exiting the hot water for provisions within 48 hours.
- Rated power heating: 2000W.
- The water pressure: normal use in the range of 0.02-0.8MPa

OPERATING INSTRUCTIONS

- Water Entering: After fixing all the pipes, then make the cold and heat water-blending valve rotate to the high temperature sector according to the clockwise direction. And reopen the cold water pipe's water entering valve. At this time, the electric water heater's tank will start to enter the water. Waiting that the shower sector of the water exiting mouth is in normal condition, which indicates that the tank has fully filled with water

Cautions: During the electric water heater is in the normal operating procedures, the water-entering valve of the cold water pipe's mouth-entering sector must be in the open condition from the beginning to the end. At this time, the water-entering valve can still make the functions of regulating the water-existing mouth section's flowing strength and weakness. However, the cold and hot mixed water valve can only regulate the water temperatures and make the function of closing the water exiting.

- Putting through the power: After confirming the tank to be fully filled the water, you can make the power source's plug insert into the outlet and put through the power sources.
- Hot water operations: After the electric water heater normally works and heats for a long period of time, you can use the hot water in the tank, you need to make the cold and hot mixed valve rotate with the clockwise direction slowly from the low temperature to the high temperatures in the closed condition. And adjust it to your proper temperature. At that time, the shower mouth can come out the hot water. After finishing the uses, you can turn it to the closed section by the anti-clockwise direction and shut off the mixed water valve.

Cautions: When adjusting the water temperature of the water-exiting mouth, you don't make the shower directly to the human body; you should test the water temperature first to avoid burning to damages.

- Overheating Protections: Under the condition of putting through the power, but the heating pipe won't heat from the beginning from the end. At this time, it may appear the over heat protections (that is to make functions by the double-positional temperature-limiting protection switch).
- Automatically balance the temperatures: When the water temperature in the tank reaches the set one, it will automatically cut off the power and halt heating. Meanwhile, the heating indicator will put out. The electric water heater will be in the temperature-maintaining condition. When the water temperature in the tank reduces to a certain one, it will automatically begin to heat. After reaching the temperature, it will automatically cut off the power and be in the temperature-keeping condition. It will circulate to automatically work like these.

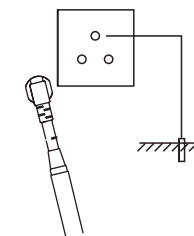
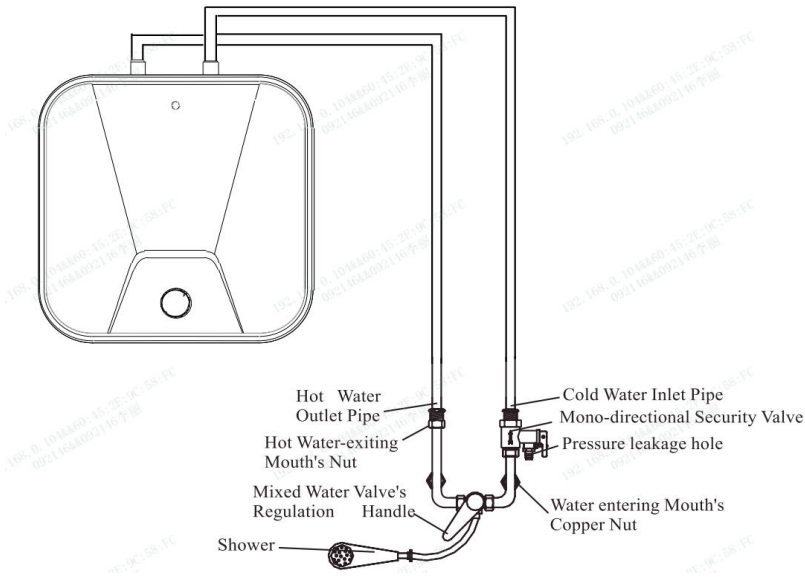


Diagram 8



SECURITY CHARACTERISTICS

- **Security Valve :** This electric water heater fits a mono-directional security valve. It must be installed at the water entering hole sector of this unit of the electric water heater. When the tank's pressure is over 0.8 MPa, this valve will automatically leak the pressure. It may exist the water drops to fall down at the pressure leakage mouth sector. In any conditions, this pressure leakage mouth must not to be blocked. You must keep it anti-through with the atmosphere. (Diagram 1)

Note: For the interior-ventilating styled security valve, its pressure leakage exit sector may not exits the water drops to drip down. Otherwise, during the heating procedure, the water-entering pipe's outer cover under the safety valve may have a certain temperature. This belongs to the normal conditions. This indicates that it is internally-draining the leakage pressure.

- To drain the tank perform the following steps:
If needing to make the tank empty, firstly close the water-entering valve door, open the water-exiting valve door. make the plastic handle lift up; let the water in the tank naturally flow out. (Diagram 2)

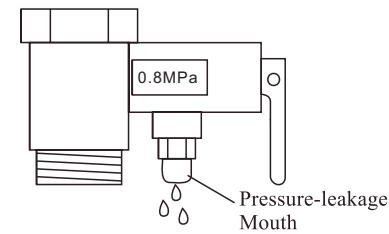


Diagram 1

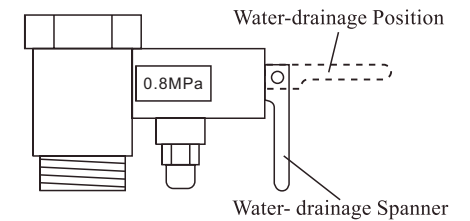
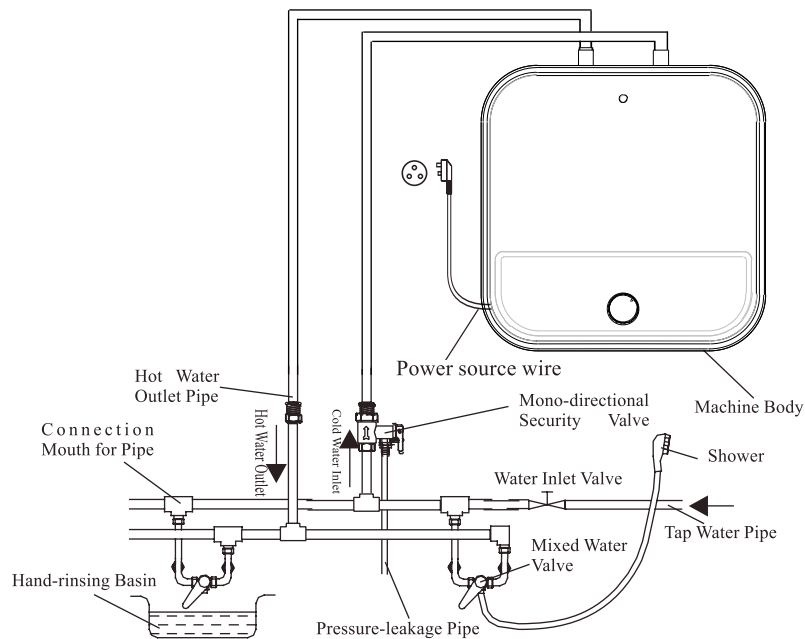


Diagram 2

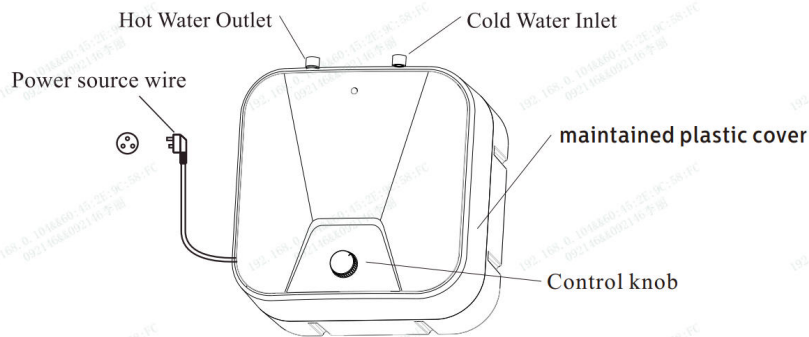
Diagram 7



TECHNICAL REFERENCE DATA

Rated Voltage	220-240V~	Rated Power	2000W
Rated Frequency	50/60Hz	Rated Current	8.7 A
Rated Pressure	0.8MPa	Rated volume	10L, 15L, 25L
Rated Water Temperature	75°C	Heating Efficiency	>90%
Water-proof Degree	IPX4 ▲	Structure Mode	Hermetically closed typed water storage style
Fitted Socket	250V~, 10A	Fixing Mode	Hanging type

PRODUCT STRUCTURE



ASSEMBLING INSTRUCTIONS

● Fix water heater

1. Installation must be done by after-service department or the designated staffs.

2. This is wall-hang electrical water heater, it must be located at where is:

(1) Drainable and Unfrozen

(2) Concentrated water use

(3) Enough space for maintenance and repair.

(4) The carrying capacity of the installation should not be less than 4 times of completed filled electrical water heater.

(5) No leakage of flammable gas or strongly corrosive gas. No Strong electricity, magnetic effect. Avoid direct sunlight, rain, wind. Avoid the shock.

3. Firstly drill 2 holes with the drill whose diameter is smaller than the plug bolt hook. Holes are depth 60mm. Then use a hammer to knock the plug bolt hooks into the two holes.

4. Tighten the rear panel to the the plug bolt hooks mentioned above with two nuts ST6.0*60.

5. Lift the water heater against the wall; move down slowly until the rear cover catch the hanging board. Pull down, left, right once to make sure the water heater is fixed.

Note: (1) The two plug bolt hooks should be completely in the wall and at the same height horizontally.

(2) The wall inatled to should be toughand stable, abling to bear over the weight of a heater full of water.

(3) For the convenience of repair and maintenance, leave a space of 50 cm at least at the left of the water heater.

(4) The heater should be installed inside the room and should not incline after installation.

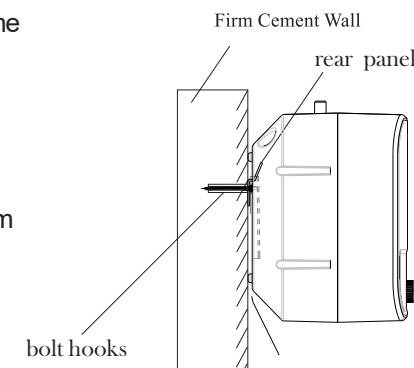


Diagram 5

PIPE CONNECTIONS

- All the pipe parts are G1/2". Wind a certain raw material tape at the water-entering mouth sector of the electric water heater (Blue Sign Identification) Then re-install the mono-directional security valve well.
- The remaining pipe's connection method can be referred to No.7 figure (Diagram 6).
- If the user want to offer the water by poly-routes, then you can refer to the No. 8 figure for connecting the pipes (Diagram 7).

CAUTIONS ITEMS

- The installed walls must be solid; the inflation bolts must be tautly spun. And install it firmly. Mustn't loosen and prohibit to mount it in the heart-emptied bricks or the brick crevices.
- The power source's socket must be adopted the super-quality mono-phase tri-pole one which complies with the State's gauges. And it must be fitted the qualified ground wire, which must be installed at the properly high positions and the uneasily water-showered damp places. This outlet had better be typically used for the electric water heater (Diagram 8).
- When it is in the initiative operation, you must make the tank fully fill the water, after that, you can put through the power sources.